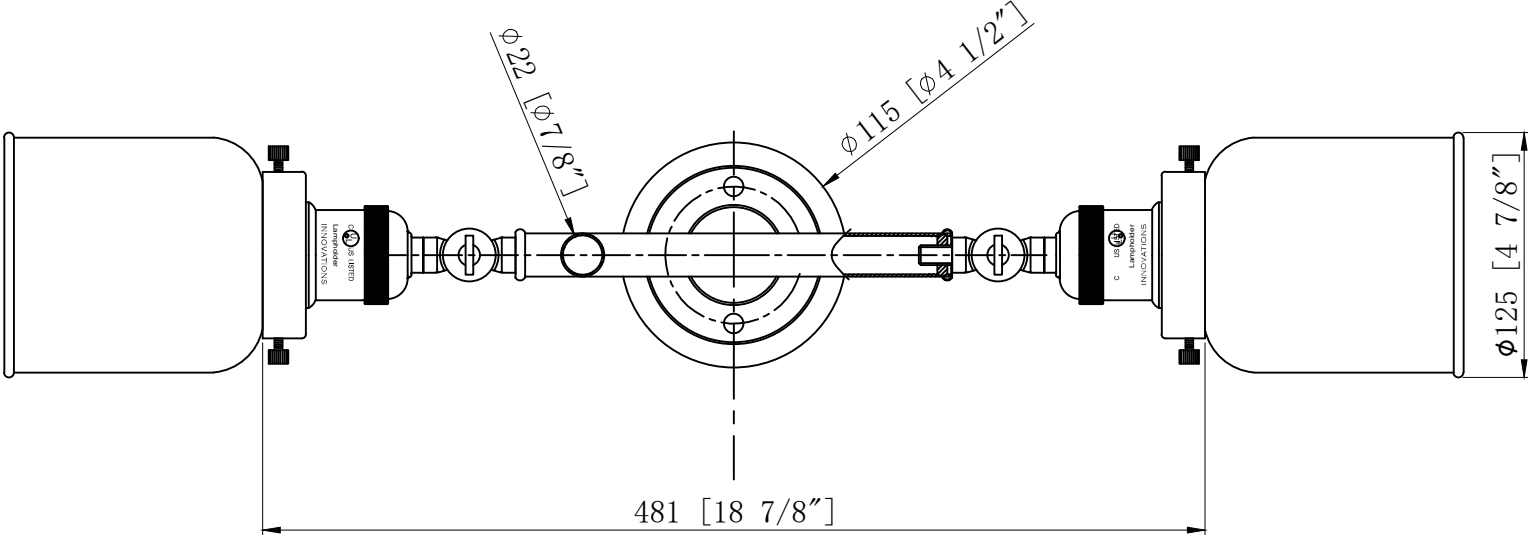


**INNOVATIONS LIGHTING**  
 DESIGN COPYRIGHT - 25/08/2020  
 ALL RIGHTS RESERVED AND MAY  
 NOT BE DUPLICATED WITHOUT OUR  
 WRITTEN PERMISSION

**UL SPECIFICATION**  
 \* FIXTURE SHALL BE LISTED FOR LOCATION ONLY AND LABELED AS SUCH.  
 \* FIXTURE MUST BE MANUFACTURED IN ACCORDANCE WITH UL STANDARD 1598.

**PARTS SPECIFICATIONS**  
**ITEM QTY DESCRIPTION**

- A (1) SOCKET- UL LISTED/CSA CERTIFIED  
 BASE=MEDIUM  
 SOCKET=PORCELIN  
 SEE LEAD WIRE FOR SOCKET WIRE SPEC.
  
- B (1) LEAD WIRE- 7" [180] FROM BACKPLATE  
 UL LISTED/CSA CERTIFIED, AWG #18  
 105°C BLACK AND WHITE WIRE.  
 STRIP 1/2 [12.7], SPLIT 3 [76.2].  
 FROM TOP OF SCROLL.  
 (SEE CHART FOR COLOR).
  
- C (1) GROUND WIRE- 7" [180] FROM BACKPLATE  
 1/4 LAY COPPER GROUND WIRE.  
 FROM TOP OF SCROLL.  
 (SEE CHART FOR TINT).



NO.	PART NO.	DESCRIPTION	REQ.

**INNOVATIONS**  
 CREATIVITY MEET EVOLUTIONARY DESIGN

DRAWN IN THIRD ANGLE PROJECTION	*mm* DIMENSION INDICATED IN [ ] DIMENSION IN [ ] IS FOR REF. ONLY			
	TOLERANCES (EXCEPT AS NOTED)			
DECIMAL NONE ±.031 .X ±.015 .XX ±.010 .XXX ±.005	ANGULAR ± 1/2°	FRACTIONAL ± 1/32	SCALE 1:3.2	
DATE 02/06/2021	DRAWN BY SSL	CHECKED BY X	APPROVED BY X	

TITLE <b>WALL</b>		
PART NO.	WALL	REV.
ITEM NO.	208-2W	REV. A